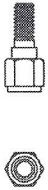


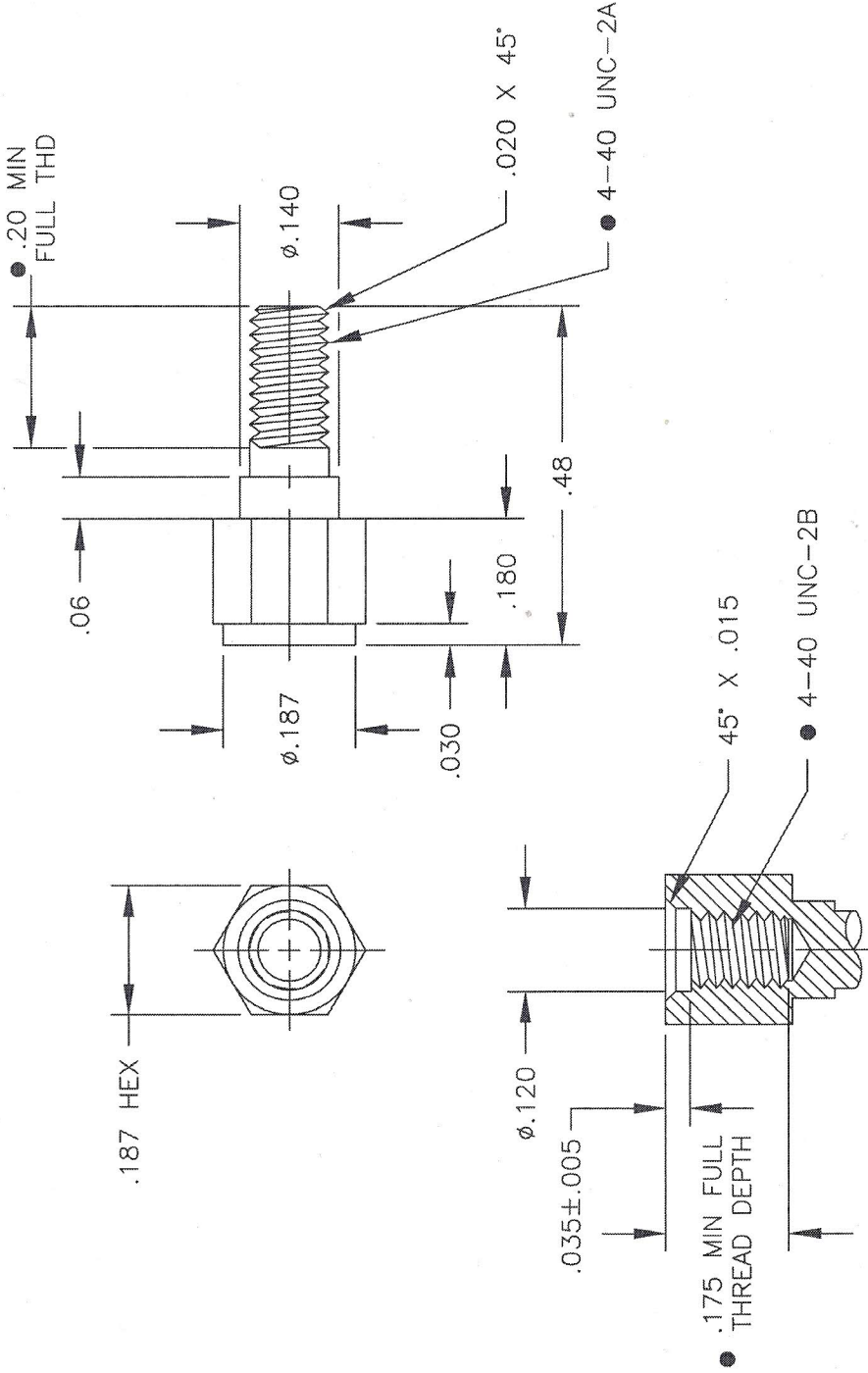
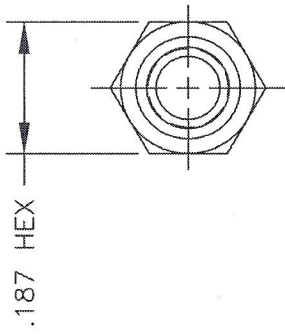
JOB#

500-017

ACTUAL SIZE



SCALE: 4/1



TITLE:

JACKPOST, 4-40

PART #:

M83513/17

REVISION: H

MATERIAL:

303 SST

FINISH:

PASSIVATE
SAE-AMS-2700

PLATING:

N/A

TOLERANCES:

.XX±
.XXX± .005
ANGLE ± 3°
FRACTION ±
CONCENTRICITY: .003 TIR

APPROVALS

DATE

DRAWN BY:

M. FELKINS

99/10/26

CHECKED BY:

C. DUBREUIL

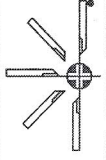
11/02/99

Q.C. BY:

J. FLOWERS

11/02/99

F/N: 500-017-A



HI-TECH SWISS ENGINEERING

NOTES:

- 1. REMOVE ALL BURRS AND SHARP EDGES.
- 2. INTERNAL THREADS TO BE FREE FROM CUTTINGS.

▲ CRITICAL CHARACTERISTIC
SPC REQD (VARIABLE)

● MAJOR CHARACTERISTIC
SPC REQD (ATTRIBUTE)