

JOB#

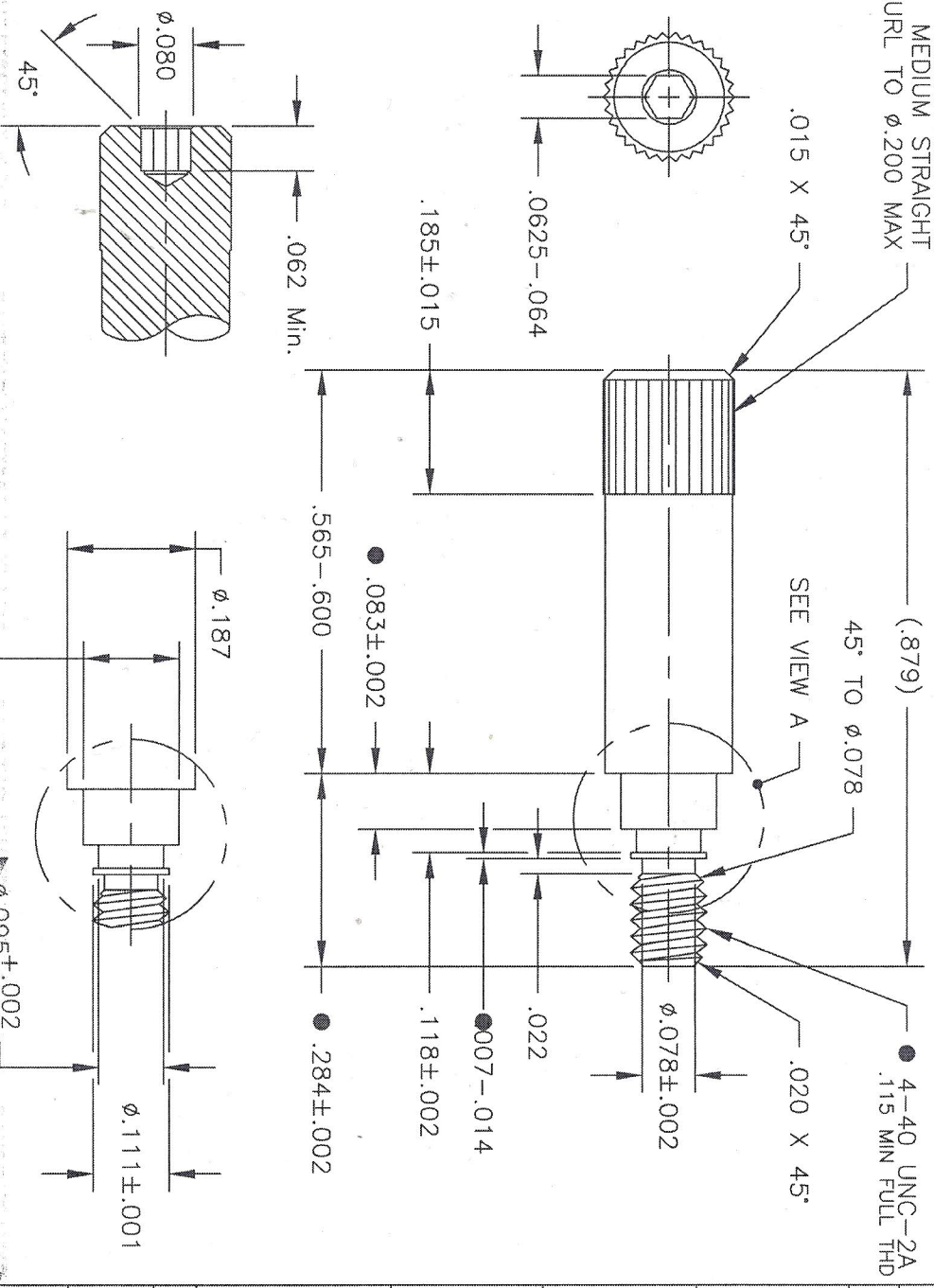
500-013

ACTUAL SIZE



SCALE: 4/1

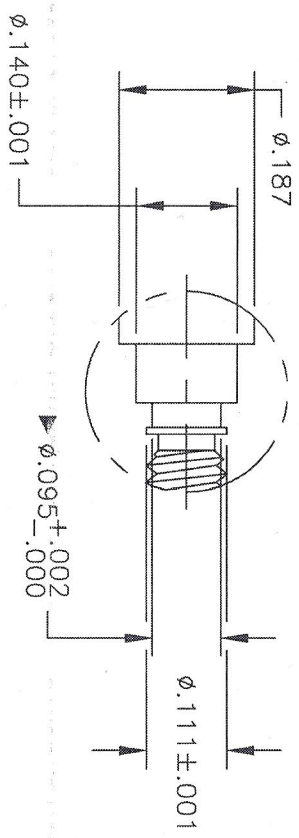
MEDIUM STRAIGHT
KNURL TO ϕ .200 MAX



CRITICAL CHARACTERISTIC
SPC REQD (VARIABLE)

- MAJOR CHARACTERISTIC
SPC REQD (ATTRIBUTE)

VIEW A



NOTES:

- REMOVE ALL BURRS AND SHARP EDGES.
- MATERIAL CONDITION/125,000 PSI MINIMUM TENSILE.

TITLE:

HIGH-PROFILE, 4-40

PART #:

M83513/5-13

REVISION: H

MATERIAL:

303 SST (B)
SEE NOTE 2

FINISH:

PASSIVATE
SAE-AMS-2700

PLATING:

N/A

TOLERANCES:

.XX \pm
.XXX \pm .005
ANGLE $\pm 3^\circ$
FRACTION \pm
CONCENTRICITY: .003 TIR

APPROVALS

DATE

DRAWN BY:

M. FELKINS

99/10/27

CHECKED BY:

C. DUBREUIL

11/02/99

Q.C. BY:

J. FLOWERS

11/02/99

F/N: 500-013-A

