

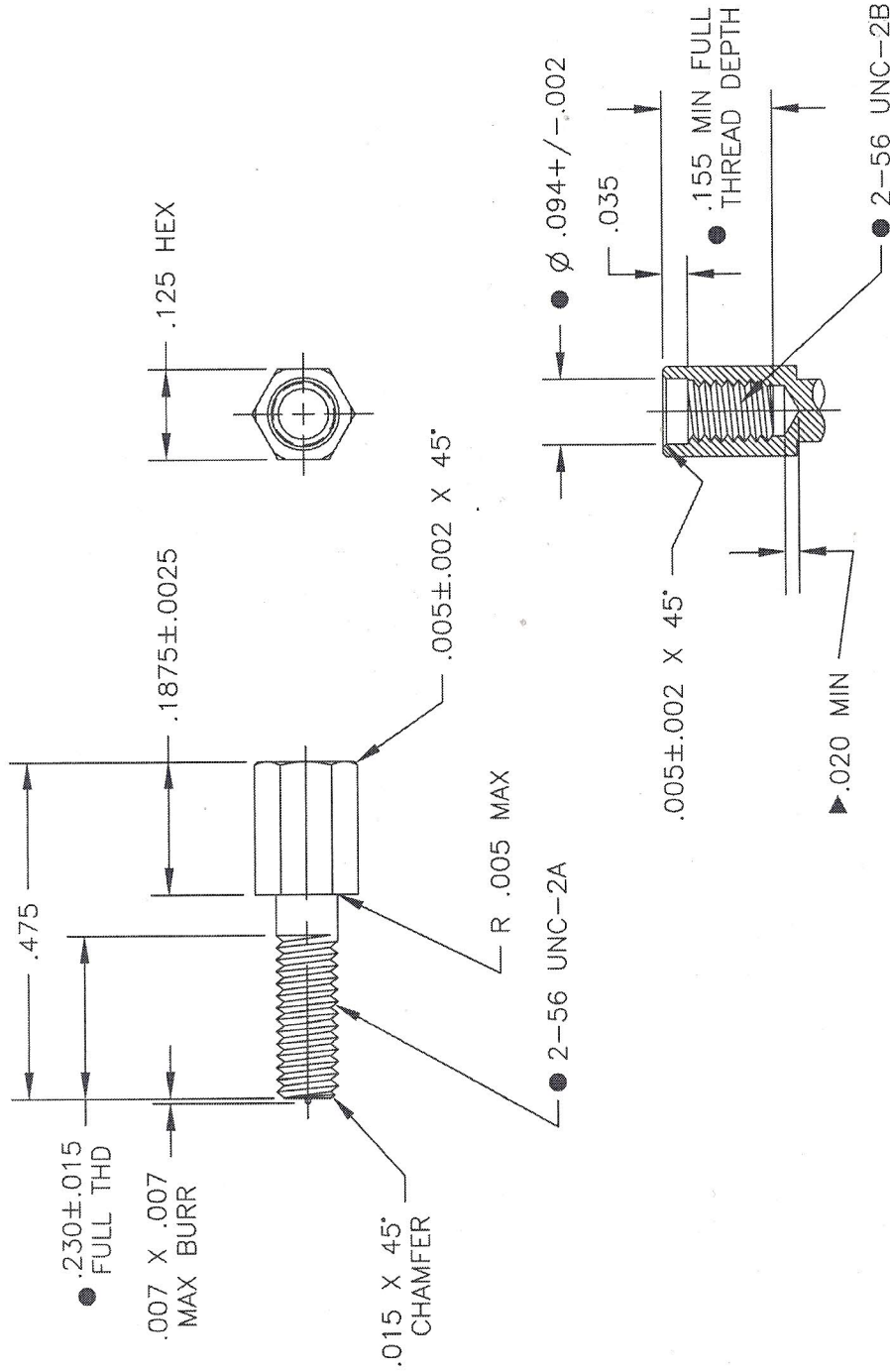
JOB#

500-007

ACTUAL SIZE



SCALE: 4/1



NOTES:

1. REMOVE ALL BURRS AND SHARP EDGES.
2. INTERNAL THREADS TO BE FREE FROM CUTTINGS.

▲ CRITICAL CHARACTERISTIC
 SPC REQD (VARIABLE)

● MAJOR CHARACTERISTIC
 SPC REQD (ATTRIBUTE)

TITLE:

JACKPOST, 2-56

PART #:

M83513/5-07

REVISION: H

MATERIAL:

303 SST

FINISH:

PASSIVATE
SAE-AMS-2700

PLATING:

N/A

TOLERANCES:

.XX±
 .XXX± .005
 ANGLE ± 3°
 FRACTION ±
 CONCENTRICITY: .003 TIR

APPROVALS

DATE

DRAWN BY:

M. FELKINS

99/10/25

CHECKED BY:

C. DUDREUIL

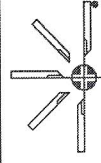
11/02/99

Q.C. BY:

J. FLOWERS

11/02/99

F/N: 500-007-A



HI-TECH SWISS ENGINEERING