

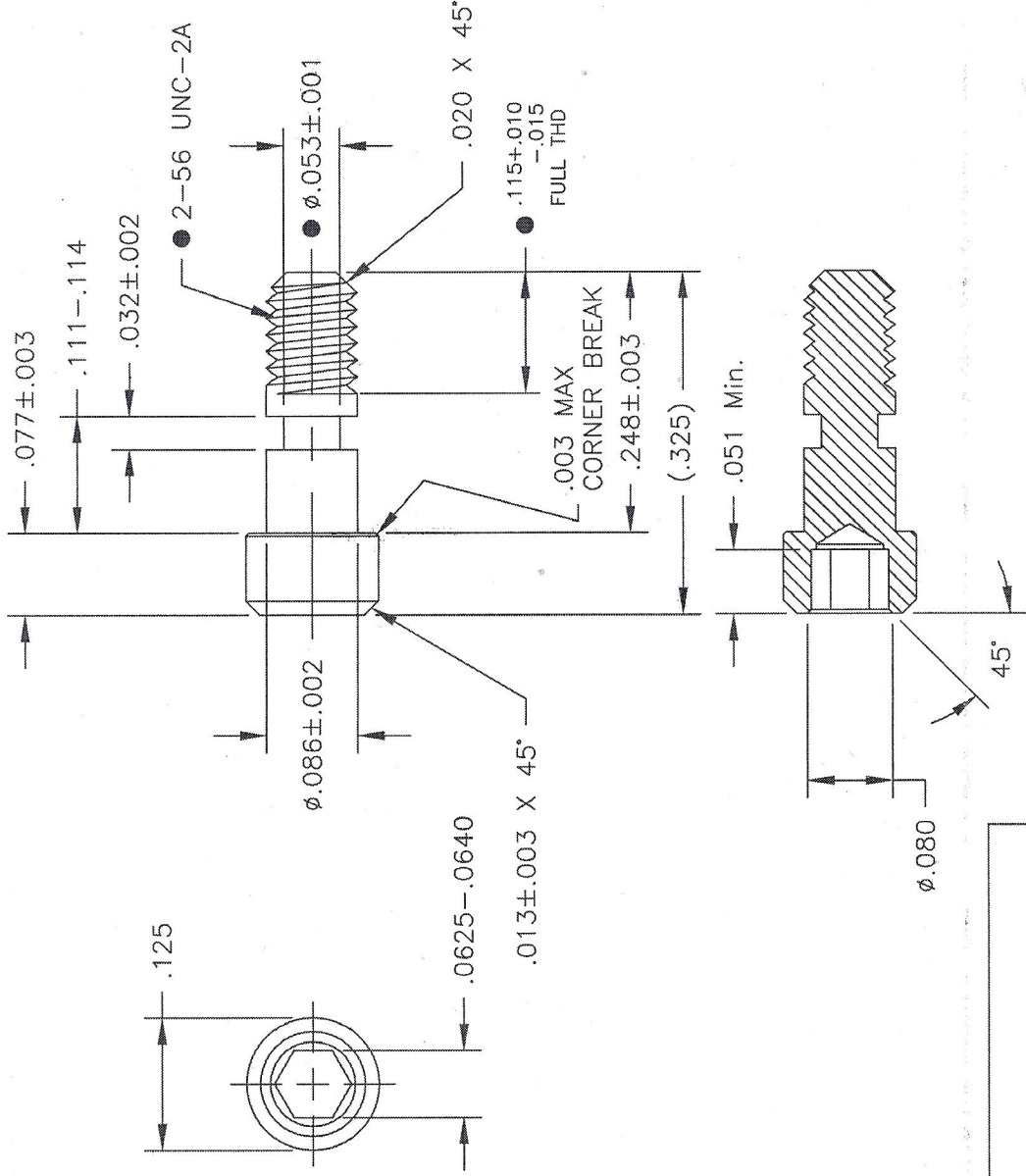
JOB#

500-002

ACTUAL SIZE



SCALE: 6/1

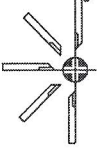


NOTES:

1. REMOVE ALL BURRS AND SHARP EDGES.
2. INTERNAL DIAMETER TO BE FREE FROM CUTTINGS.
3. MATERIAL CONDITION/125,000 P.S.I. MINIMUM TENSILE.

▲ CRITICAL CHARACTERISTIC
 SPC REQD (VARIABLE)

● MAJOR CHARACTERISTIC
 SPC REQD (ATTRIBUTE)

TITLE: JACKSCREW, 2-56	
PART #: M83513/5-02	
REVISION: H	
MATERIAL: 303 SST (B) SEE NOTE 3	
FINISH: PASSIVATE SAE-AMS-2700	
PLATING: N/A	
TOLERANCES: .XX± .XXX± .005 ANGLE ± 3° FRACTION ± CONCENTRICITY: .003 TIR	
APPROVALS	DATE
DRAWN BY: M. FELKINS	99/10/25
CHECKED BY: C. DUBREUIL	11/02/99
Q.C. BY: J. FLOWERS	11/02/99
F/N: 500-002-A	
 HI-TECH SWISS ENGINEERING	